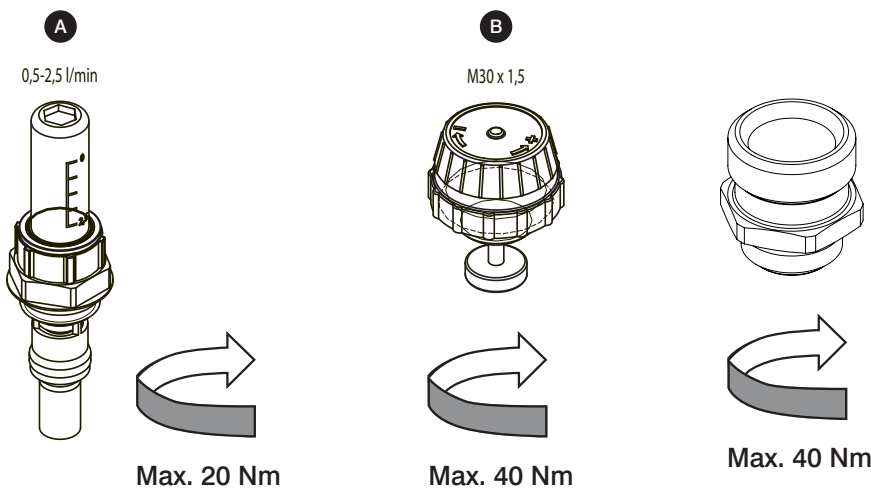
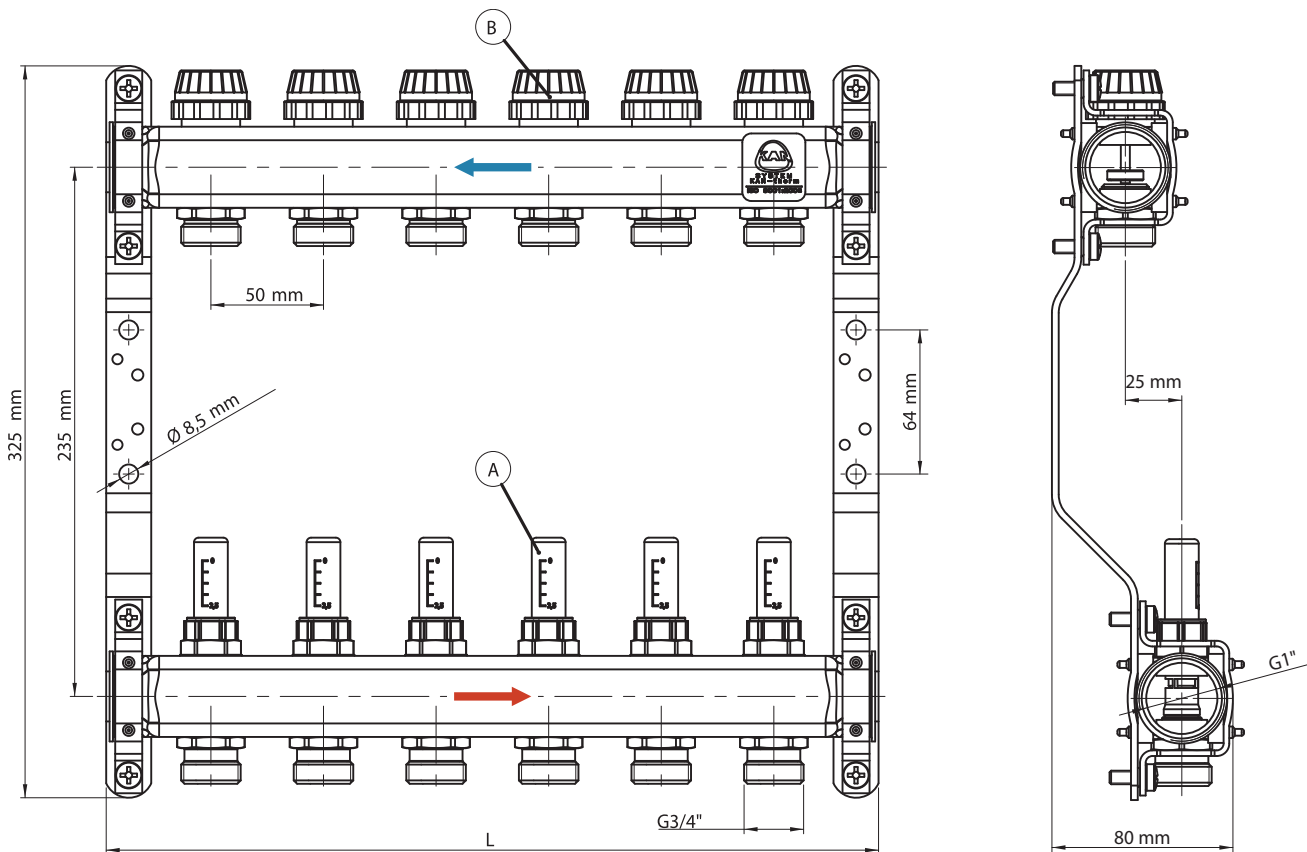


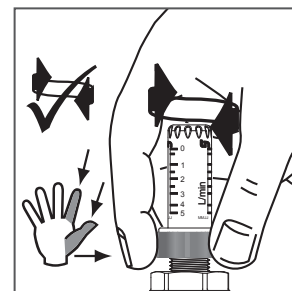
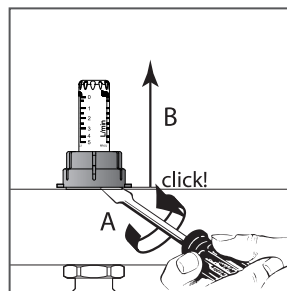
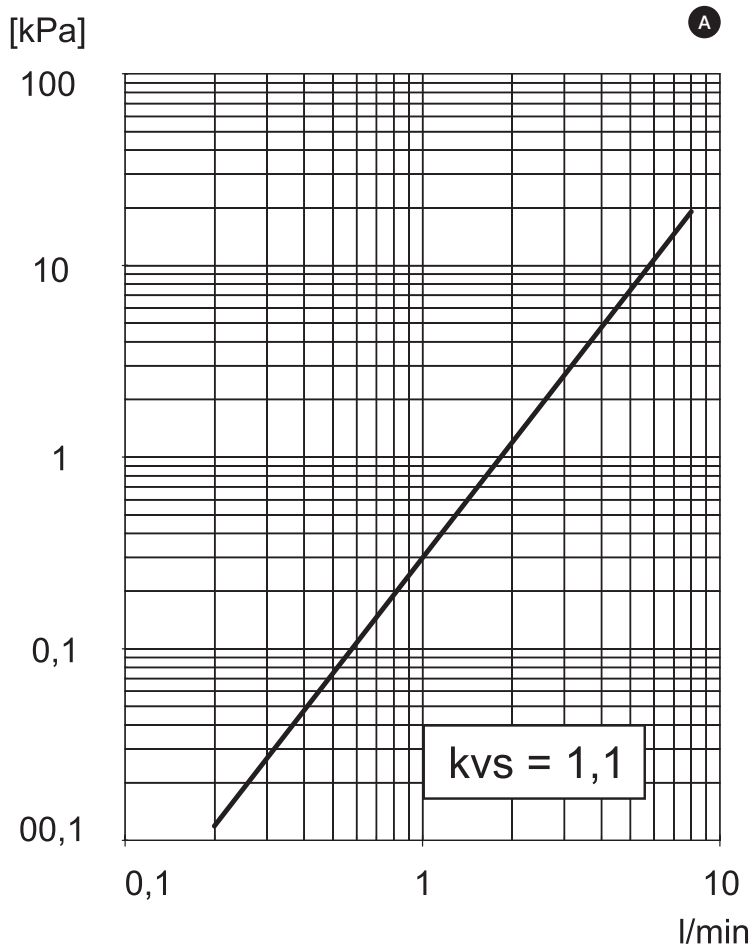
N75E



SYSTEM
KAN-therm



No	2	3	4	5	6	7	8	9	10	11	12
L [mm]	143	193	243	293	343	393	443	493	543	593	643
Code	N75020E	N75030E	N75040E	N75050E	N75060E	N75070E	N75080E	N75090E	N75100E	N75110E	N75120E



$T_{\max} = 70^{\circ}\text{C}$
 $p_{\max} = 6 \text{ bar}$
 $\text{H}_2\text{O} - 100\%$
 Glycol - max. 50%

