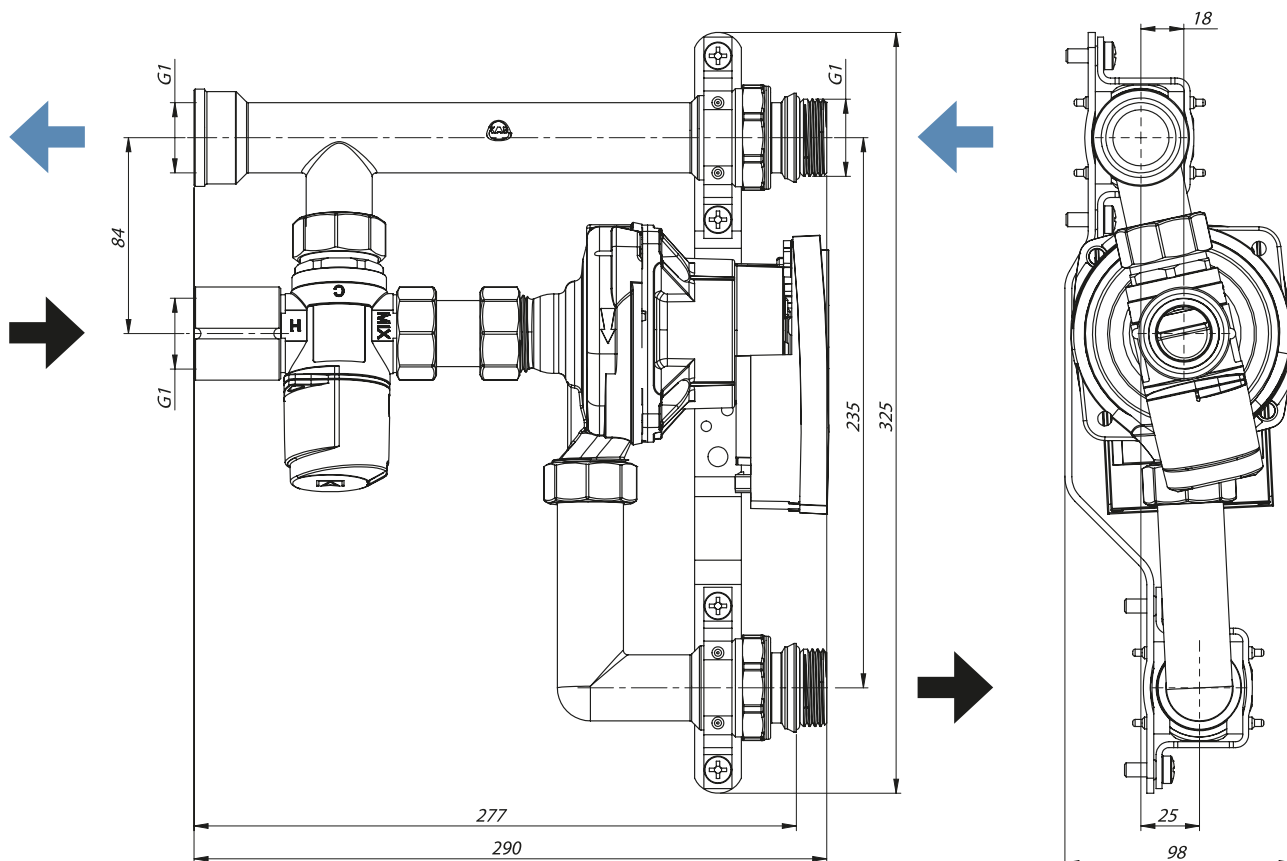


1300103004

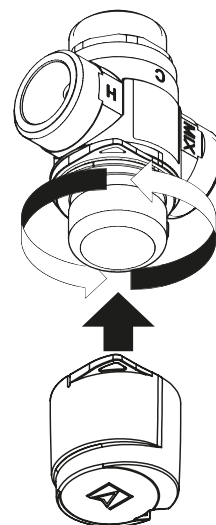
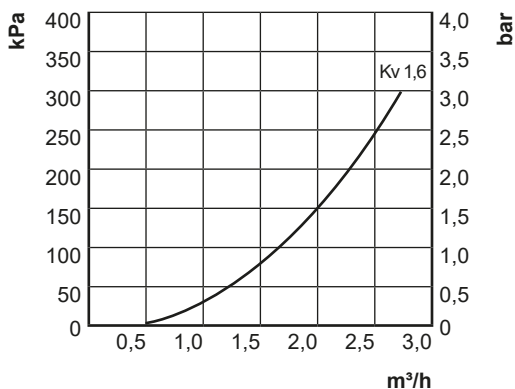


SYSTEM
KAN-therm



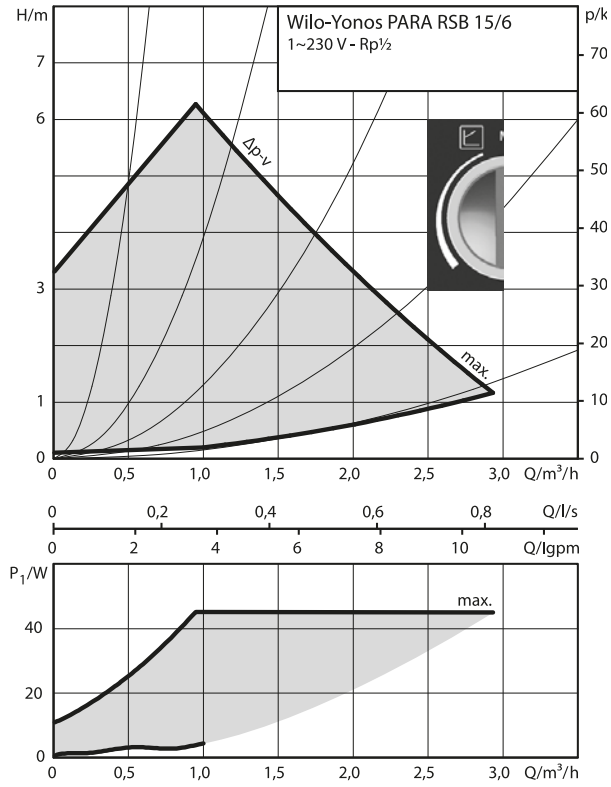
1. ATM 361 (20 – 43 °C) / ATM 363 (35 – 60 °C)

Set	ATM 361	ATM 363
1	20 °C	35 °C
2	25 °C	44 °C
3	30 °C	48 °C
4	34 °C	51 °C
5	38 °C	57 °C
6	43 °C	60 °C

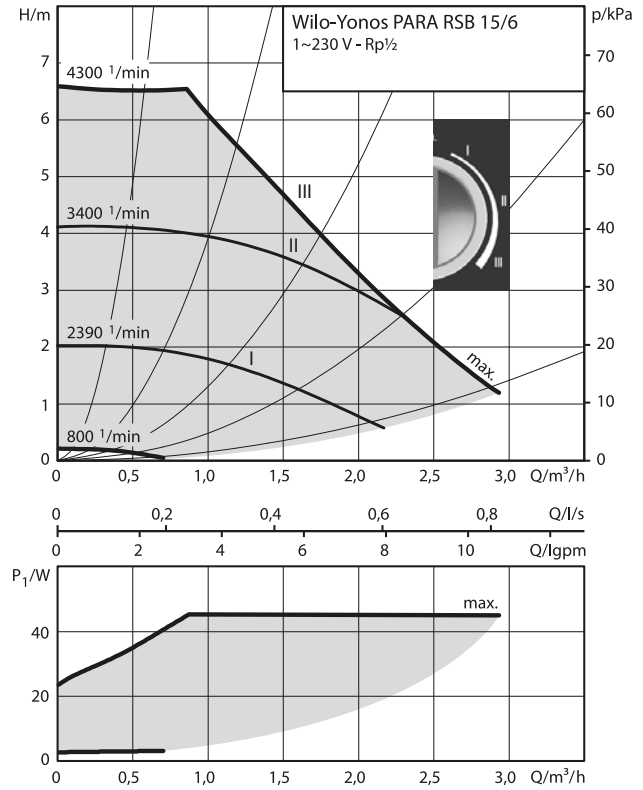


2. Wilo Yonos PARA RSB15/6 RKC

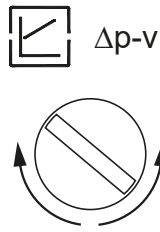
$\Delta p-v$ (variable)



Constant speed I, II, III



RKC



T_{max}	90 °C
P_{max}	10 bar
H ₂ O	100%
Glycol	max 50%

